



# KASTA WASTE RECEPTACLE



# INTRO

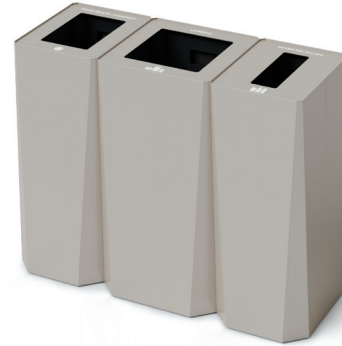
01

KASTA takes recycling seriously, designed to be used independently or ganged to create just the right disposal streams for virtually any locale and anticipated load. Ultra-legible labeling — including text and pictographs — helps solve the all-too-common what-goes-where conundrum. And a faceted, architectural form and carefully curated finish palette make integration into commercial interiors easy and elegant. Made in the USA.





# KASTA



# OVERVIEW

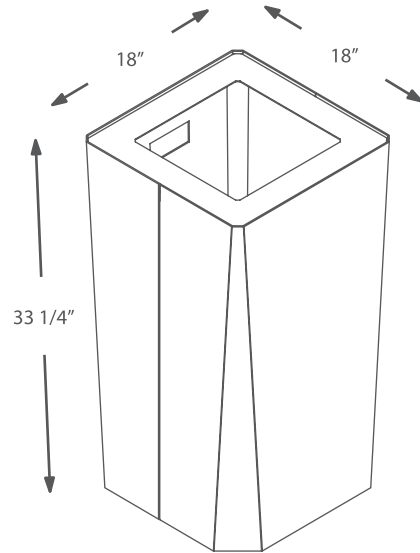
KST-1818L

02

## Model: KST-1818L

45 gallon, powder coated steel, square body waste receptacle with internal rigid liner, removable aluminum top, bag ring and adjustable glides.

Pre-Consumer Recycled Content: 33%  
Post-Consumer Recycled Content: 54%  
Total Recycled Content: 87%  
Post Life Recyclability: 98%

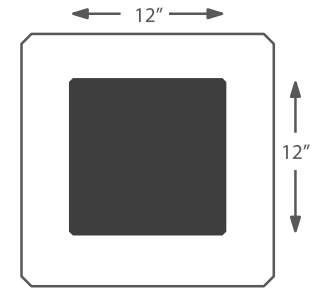


### Body Finish Colors

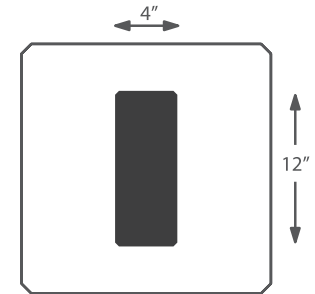
- Matte White RAL 9003
- Matte Grey White RAL 9002
- Matte Beige RAL 7032
- Matte Grey RAL 7001
- Matte Anthracite RAL 7016
- Matte Black RAL 9011

### Top Finish Colors

- Matte White RAL 9003
- Matte Grey White RAL 9002
- Matte Beige RAL 7032
- Matte Grey RAL 7001
- Matte Anthracite RAL 7016
- Matte Black RAL 9011
- Matte Blue RAL 5009
- Matte Green RAL 6011
- Matte Brown RAL 8002



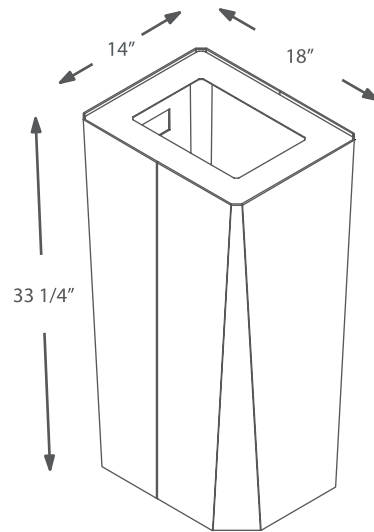
Waste Opening



Recycling Opening

# OVERVIEW

KST-1814L



## Model: KST-1814L

35 gallon, powder coated steel, rectangular body waste receptacle with internal rigid liner, removable aluminum top, bag ring and adjustable glides.

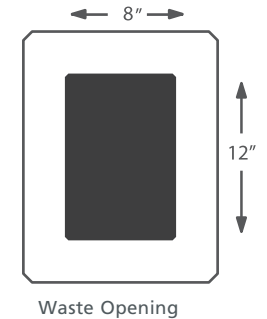
Pre-Consumer Recycled Content: 33%  
Post-Consumer Recycled Content: 54%  
Total Recycled Content: 87%  
Post Life Recyclability: 98%

## Body Finish Colors

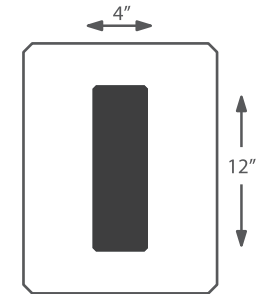
- Matte White RAL 9003
- Matte Grey White RAL 9002
- Matte Beige RAL 7032
- Matte Grey RAL 7001
- Matte Anthracite RAL 7016
- Matte Black RAL 9011

## Top Finish Colors

- Matte White RAL 9003
- Matte Grey White RAL 9002
- Matte Beige RAL 7032
- Matte Grey RAL 7001
- Matte Anthracite RAL 7016
- Matte Black RAL 9011
- Matte Blue RAL 5009
- Matte Green RAL 6011
- Matte Brown RAL 8002



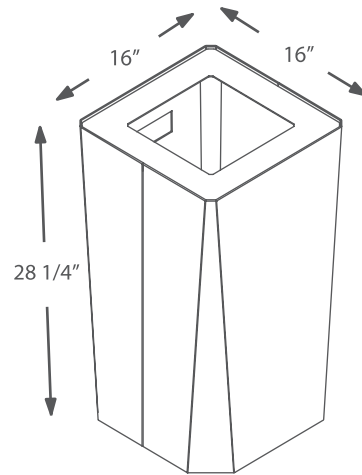
Waste Opening



Recycling Opening

# OVERVIEW

KST-1616L



## Model: KST-1616L

30 gallon, powder coated steel, square body waste receptacle with internal rigid liner, removable aluminum top, bag ring and adjustable glides.

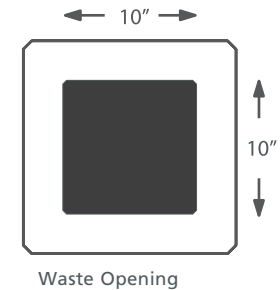
Pre-Consumer Recycled Content: 32%  
Post-Consumer Recycled Content: 54%  
Total Recycled Content: 86%  
Post Life Recyclability: 98%

## Body Finish Colors

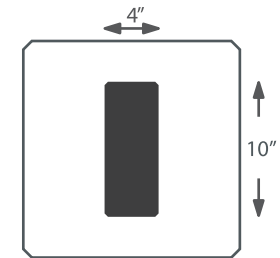
- Matte White RAL 9003
- Matte Grey White RAL 9002
- Matte Beige RAL 7032
- Matte Grey RAL 7001
- Matte Anthracite RAL 7016
- Matte Black RAL 9011

## Top Finish Colors

- Matte White RAL 9003
- Matte Grey White RAL 9002
- Matte Beige RAL 7032
- Matte Grey RAL 7001
- Matte Anthracite RAL 7016
- Matte Black RAL 9011
- Matte Blue RAL 5009
- Matte Green RAL 6011
- Matte Brown RAL 8002



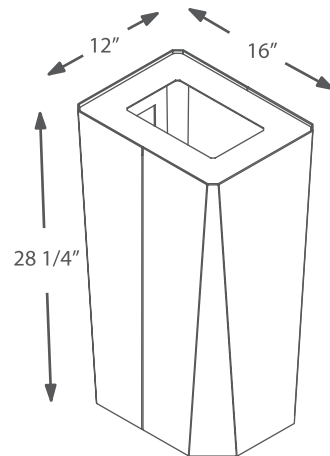
Waste Opening



Recycling Opening

# OVERVIEW

KST-1612L



## Model: KST-1612L

22 gallon, powder coated steel, rectangular body waste receptacle with internal rigid liner, removable aluminum top, bag ring and adjustable glides.

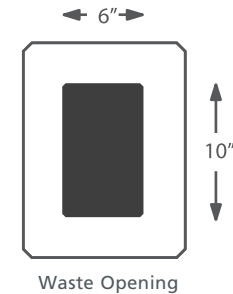
Pre-Consumer Recycled Content: 32%  
Post-Consumer Recycled Content: 55%  
Total Recycled Content: 87%  
Post Life Recyclability: 97%

## Body Finish Colors

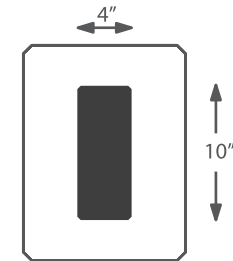
- Matte White RAL 9003
- Matte Grey White RAL 9002
- Matte Beige RAL 7032
- Matte Grey RAL 7001
- Matte Anthracite RAL 7016
- Matte Black RAL 9011

## Top Finish Colors

- Matte White RAL 9003
- Matte Grey White RAL 9002
- Matte Beige RAL 7032
- Matte Grey RAL 7001
- Matte Anthracite RAL 7016
- Matte Black RAL 9011
- Matte Blue RAL 5009
- Matte Green RAL 6011
- Matte Brown RAL 8002



Waste Opening



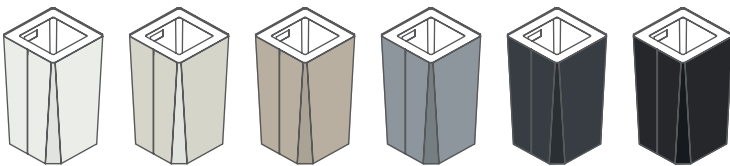
Recycling Opening



# DETAILS

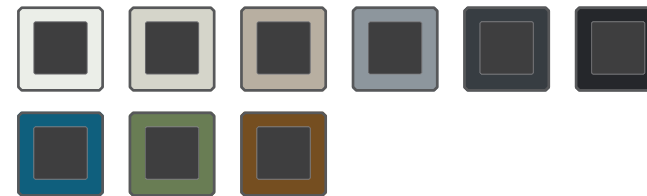
## COLOR PALETTE

03



### Body Finish Colors

-  Matte White RAL 9003
-  Matte Grey White RAL 9002
-  Matte Beige RAL 7032
-  Matte Grey RAL 7001
-  Matte Anthracite RAL 7016
-  Matte Black RAL 9011



### Top Finish Colors

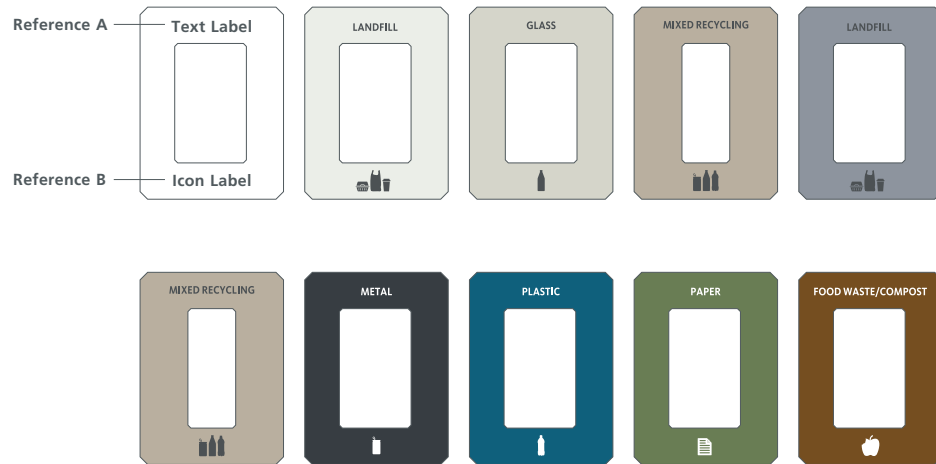
-  Matte White RAL 9003
-  Matte Grey White RAL 9002
-  Matte Beige RAL 7032
-  Matte Grey RAL 7001
-  Matte Anthracite RAL 7016
-  Matte Black RAL 9011
-  Matte Blue RAL 5009
-  Matte Green RAL 6011
-  Matte Brown RAL 8002

# DETAILS

## LABELS AND PLACEMENT

### Labels

Each KASTA unit can be specified with text labels, icon labels, or both in Dark Grey or White. Units can also be specified without labels.



Labels	Icon Labels	Text Labels
Mixed Recycling		<b>MIXED RECYCLING</b>
Metal		<b>METAL</b>
Glass		<b>GLASS</b>
Plastic		<b>PLASTIC</b>
Paper		<b>PAPER</b>
Food Waste/ Compost		<b>FOOD WASTE / COMPOST</b>
Landfill		<b>LANDFILL</b>

# DETAILS

## SPECIFICATION SUMMARY

### HOW TO ORDER

What needs to be specified

1  
SELECT MODEL

2  
SELECT BODY  
COLOR

3  
SELECT TOP  
COLOR

4  
SELECT TOP  
OPENING

5  
SELECT LABEL(S),  
PLACEMENT &  
COLOR

### EXAMPLE ORDER



Example specification

1  
KST-1612L

2  
MATTE GREY  
WHITE RAL 9002  
BODY

3  
MATTE GREEN  
RAL 6011 TOP

4  
RECYCLING  
OPENING

5  
REF A: PAPER TEXT  
LABEL IN WHITE;  
REF B: PAPER ICON  
LABEL IN WHITE



**p:** 800.342.5725

**a:** 1400 Internationale Parkway  
Woodridge, IL 60517

**w:** [magnusongroup.com](http://magnusongroup.com)

Product Design Consultant **Gensler**