

# CAD DRAWINGS

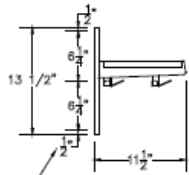
## Villa Hook Wall Rack (WK01A/WK02A)

### WK01A

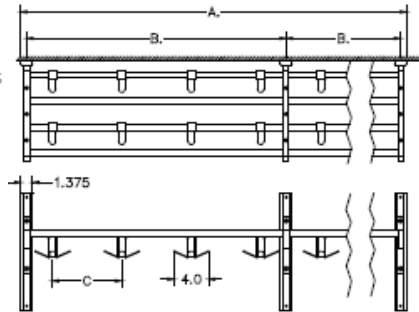
A-Overall rack length

B- Bracket spacing per  
per manufacturer's specifications

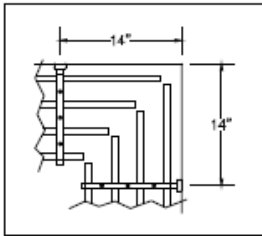
C-Hook spacing per  
manufacturer's specifications



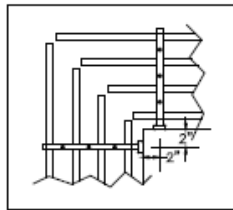
Location of mounting holes on wall mount



Interior Mired Corner



Exterior Mired Corner

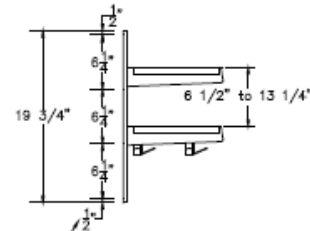


### WK02A

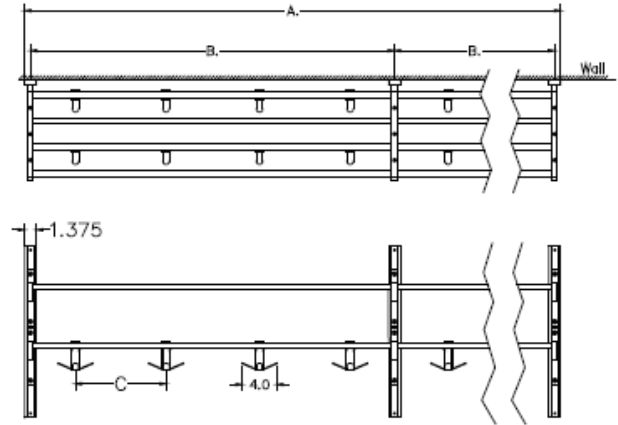
A-Overall rack length

B- Bracket spacing per  
per manufacturer's specifications

C-Hook spacing per  
manufacturer's specifications



Location of mounting holes on wall mount



**Ancillary Solutions That Make A Statement**

Request a quote - email us at [custserv@magnusongroup.com](mailto:custserv@magnusongroup.com)  
1400 Internationale Parkway Woodridge, IL. 60517

800.342.5725

[Magnusongroup.com](http://Magnusongroup.com)