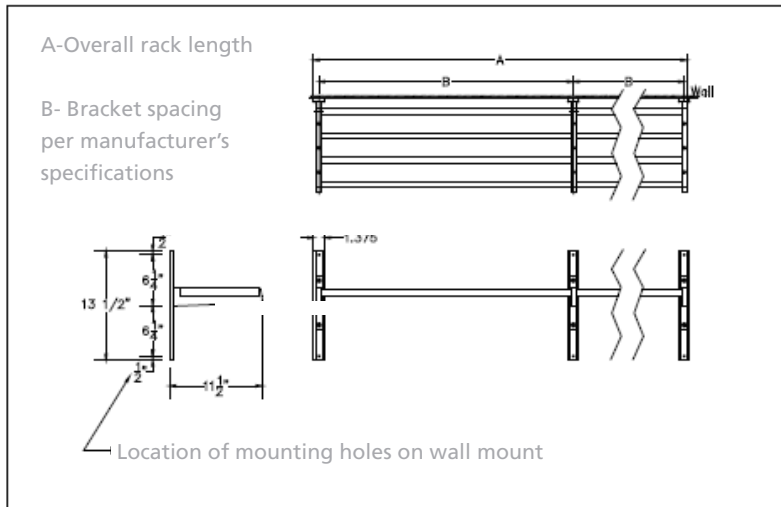


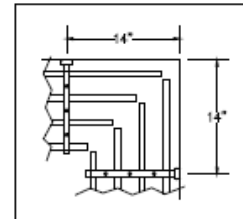
# CAD DRAWINGS

## Villa Utility Wall Rack (WU01A)

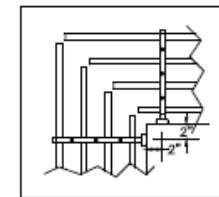
### WU01A



Interior Mired Corner



Exterior Mired Corner



**Ancillary Solutions That Make A Statement**

Request a quote - email us at [custserv@magnusongroup.com](mailto:custserv@magnusongroup.com)  
1400 Internationale Parkway Woodridge, IL. 60517

800.342.5725

[Magnusongroup.com](http://Magnusongroup.com)